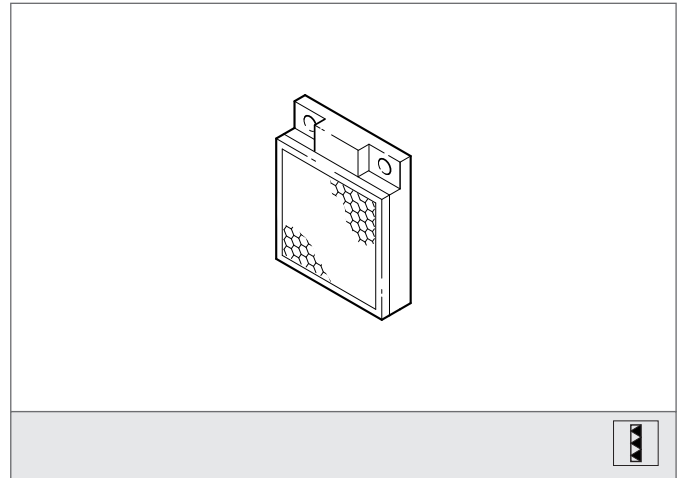


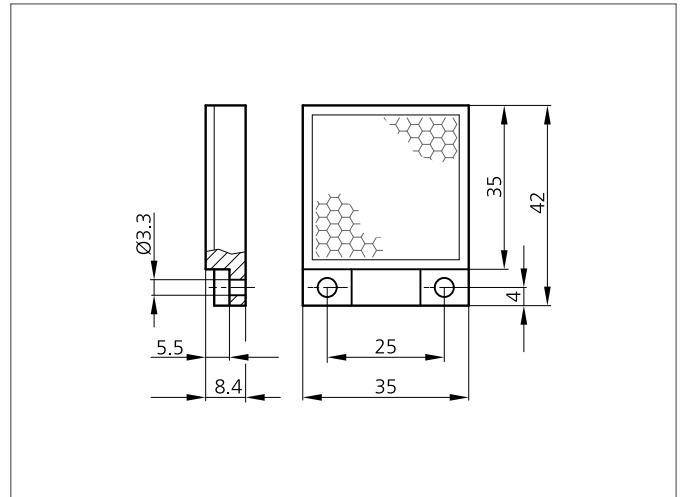
RL 42x35 Reflector

- For laser-light
- Heat-resistant until 60 °C
- Hole \varnothing 3.3 mm (2x)
- Suitable for polarized light



Safety instructions

The Instruments are not to be used for safety applications, in particular applications in which safety of persons depends on proper operation of the instruments. These instruments shall exclusively be used by qualified personnel.



TECHNICAL INFORMATION (typ.)		+20°C, 24V DC
Mounting		2 holes
Size		42 x 35 mm (Surface)
Design		rectangular
Emitted light		Laser
Ambient temperature		until 60 °C
Model		Reflector
Height		8,4 mm